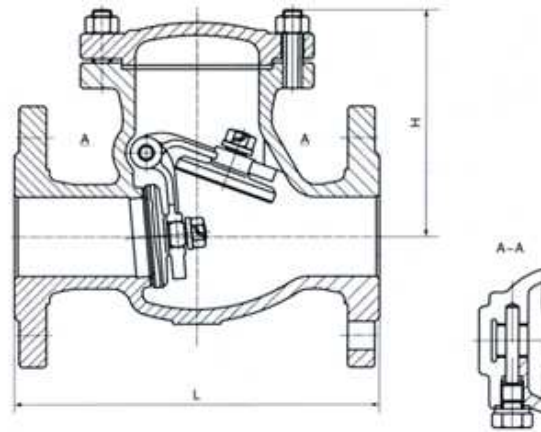




DIN F1 SWING CHECK VALVE



Features:

DIN F1 SWING CHECK VALVE

Technical specification

Structural Formation	BB-BG-OS & Y
Driving Manner	Hand-Operated
	Electric-Actuated
Design Standard	DIN3356
Face to Face	DIN3202
Flange Ends	DIN2543-2547
Test & Inspection	DIN3230

Notes: The size of serial, valve connecting flange can be design according to customers requirment.

Products performance specification

Nominal Pressure (Mpa)	Shell Test(Mpa)	Sealing Test(Mpa)	Suitable Temp(oC)	Suitable Medium
1.6	2.4	1.76	-110~600 oC	Water Oil & Gas
2.5	3.75	2.75		
4.0	6.0	4.4		
6.4	9.6	7.04		



Main Dimensions

unit:mm

Pressure (Mpa)	PN 6.4 Mpa										
	50	65	80	100	125	150	200	250	300	350	400
Size	50	65	80	100	125	150	200	250	300	350	400
L	250	270	280	330	360	390	460	530	630	690	750
H	305	354	402	437	496	541	699	815	914	1189	1350
Weight(kg)	27	37	57	87	135	184	266	396	643	8815	1230

Pressure (Mpa)	PN 10.0Mpa										
	50	65	80	100	125	150	200	250	300	350	400
Size	50	65	80	100	125	150	200	250	300	350	400
L	250	270	280	330	360	390	460	530	630	690	750
H	325	363	415	453	505	556	744	864	948	1269	1450
Weight(kg)	30	40	60	92	140	195	280	406	670	850	1260

Pressure (Mpa)	PN 16.0 Mpa										
	50	65	80	100	125	150	200	250	300	350	400
Size	50	65	80	100	125	150	200	250	300	350	400
L	250	270	280	330	360	390	460	530	630	690	750
H	325	370	430	480	532	589	783	888	965	1285	1512
Weight(kg)	32	42	63	95	145	200	289	415	685	880	1300